

PROJECTORS



TITLE

Publisher:
EAE Lighting

Creation and Design:
EAE Lighting

Image Credits:
EAE Lighting

Disclaimer:
We assume no responsibility for the content of references cited in this catalog. The content of the references is the sole responsibility of their publishers.

Copyright:
All contents of this catalog are protected by copyright. The contents may not be stored, reproduced, distributed or used in any other way without the express written permission of EAE Aydınlatma A.Ş.

Contents

P R O L I T E F F E C T	6
P R O L I T P L U S	10
P R O L I T P L U S T U N E L	14
P R O L I T	18
P R O L I T K O M P A K T	22
P R O L I T M	24
P R O L I T E X P R O O F	28
G P R O N A	32
S P R O N A P L U S	36
S P R O N A	38
V A L E R I A	40

EAE Lighting

As EAE Lighting, our adventure of innovation and passion that began in 1983 continues unabated. Thanks to the knowledge and experience of the past 40 years, we have made a name for ourselves with our highbay luminaires that set the standards in the sector, while combining the same understanding of quality with aesthetics and functionality in our decorative products. We work with dedication in our modern production facilities, focusing on innovation at every step of our ongoing experience. Designed and developed by our R&D department, our products are meticulously tested in our laboratories, helping us to maintain the high standards of quality and durability that are synonymous with EAE Lighting. Thanks to these standards, our long-lasting products bring us one step closer to our goal of a greener world with less waste, less energy consumption and less use of natural resources.



1983
Established

%90 **Domestic** approved
supplier approval



33,6 Million €
R&D Investments



362
Number of employees



4,4 Million US Dollars
Infrastructure Investments,



4344
(Person x Hour) Occupational
Health and Safety Training,



2.
Turkey Exporters Assembly
(TIM)



15966
(Person x Hour) Total training
duration



2860 GWh
Capacity of Renewable Ener-
gy (GES)



40
Number of countries of
export



911 Tonne
Recycled Waste Amount



%91,33
Rate of customer satisfaction



2.3 Million US Dollars
Renewable Energy (GES)
Investments,



1629 m3
Capacity of Rain Water Storage



1046
(Person X Hour) Sustainability
and Decarbonisation Training



Business Areas



Heavy Industry Oil&Gas

- Petrochemical
- Refinery
- Offshore
- Mining



Automotive Iron&Steel-Glass

- Automotive and Supply Industries
- Glass Factory
- Iron & Steel- Bloomeries



Power Plants

- Nuclear Power Plants
- Steam Power Plants
- Combined Cycle Plants
- HES, JES, GES



Factories Manufacturing Plants

- Textile
- Machinery-Metal
- Plastic
- Food Inc
- Medicine



Railways & Tunnels

- Metro Tunnels
- Highway Tunnels
- Railway Tunnels
- Train Stations



Data Centers

- GSM & Telecom Companies
- Co Hosting Service Providers
- Financial Institutions
- Public Data Centers
- Edge Data Centers
- Computer Rooms



Healtcares

- Public Hospitals
- Private Hospitals
- Clinics
- Laboratories



Complex Buildings & Towers

- Tower & Skycrapers
- Malls
- Office Buildings
- Hotels
- Residences
- Government Buildings



Sport Complexes

- Stadiums
- Indoor Sport Complexes
- Olympic Complexes



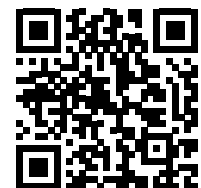
Airports

- Terminal Buildings
- Car Park
- Hanger Buildings
- Service Buildings

Certificate

- ISO 9001: 2015
- ISO 10002: 2018
- ISO 14001: 2015
- ISO 27001: 2013
- ISO 45001: 2018
- ISO 50001: 2018
- ISO 14064-1:2018

- TURKISH ACCREDITATION AGENCY
- DEKRA
- DIALUX PARTNER
- UL SOLUTIONS (DEMKO)



SCAN QR
FOR CERTIFICATES

PROLIT EFFECT

-30°C +55°C



- Shipyards
- Ports
- Ship and Shipbuilding
- Aircraft Hangars
- Square Lighting

The lightest and most efficient floodlight on the global market

- ✓ Durable facade and area luminaire
- ✓ IP66 protection & IK09 impact resistance class / Tempered and screen printed glass diffuser
- ✓ Ambient operating temperature from -30°C to +55°C
- ✓ DALI control option



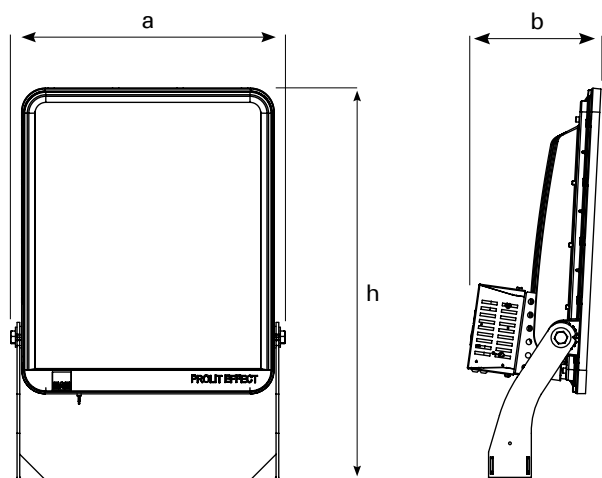
PROLIT EFFECT

420 W – 770 W
56421 lm – 102371 lm

OPTIC

10° / 13° / 16° / 18° / 22° /
23° / 27° / 30° / 46° / 54° /
57° / 60° / 90° / 98°
SP / AS / 0 Tilt

Technical Drawing



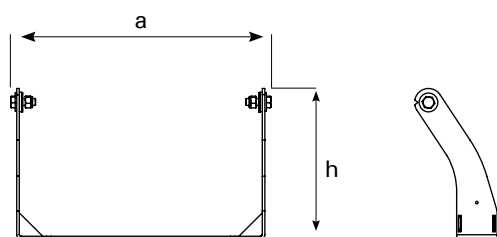
Dimensions (mm)

	a	b	h
Single	512	270	731

Weight (kg)

Standard	18,8
----------	------

Hanger Set



Dimensions (mm)

	a	h
Hanger Set	295	487



40T

KALMAR 40

KALMAR E-ONE²

tex

tex

APL

CMA CGM

Hapag-Lloyd

20

A SAHASI
01-131

STY BANGKOK
1100-1110-1120
TEL: 02-111-1111



PROLIT PLUS

-30°C +55°C



- General Open Spaces
- Ports
- Sports Halls
- Industrial Plants
- Parking Lots
- Building Facades

Lighting solution in large areas

- ✓ Special housing adaptation for Port / Apron / Tunnel
- ✓ IP66 protection & IK09 impact resistance class / Tempered screen printing glass
- ✓ Ambient operation temperature from -30°C to +60°C
- ✓ DALI / 1-10V / DIMKO / RF control options



PROLIT PLUS (HP- MP)

195 W – 435 W
25300 lm – 58706 lm

OPTIC

16° / 18° / 23° / 27° / 30° / 35° / 45° /
46° / 52° / 60° / 90° / 98° / AS /
Sport lens / 0 Tilt



PROLIT PLUS (PORT)

202 W – 341 W
26310 lm – 47467 lm

OPTIC

16° / 22° / 27° / 32° / 52° / 57° /
99° / AS



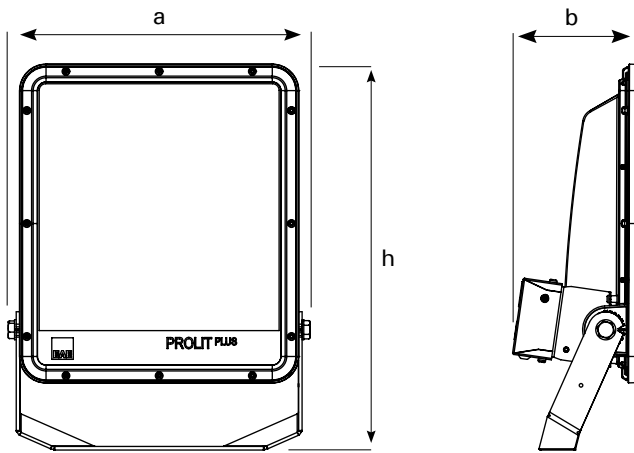
PROLIT PLUS (NG)

70 W – 263 W
26000 lm – 50206 lm

OPTIC

10° / 16° / 27° / 52° /
98° / AS

Technical Drawing



Dimensions (mm)

	a	b	h
Standard	424	174	537



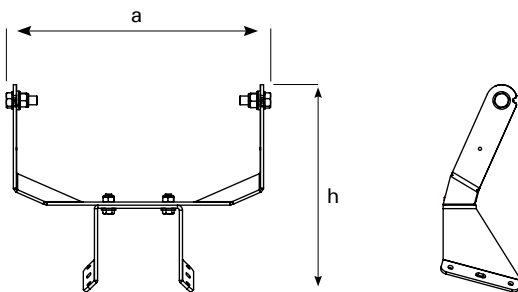
Weight (kg)

Standard	11,5
----------	------

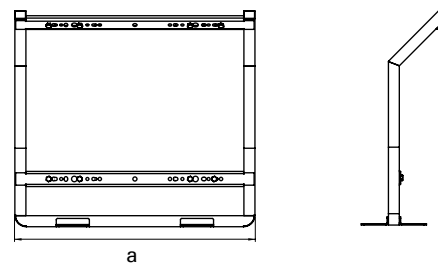
Dimensions (mm)

	a	b	h
Corner Hanger Set	422	-	331
Easy Assembly Bracket	399	-	-
4 Piece Single Angle Hanger Set	870	-	-
Adjustable Suspension Set 1x	-	-	286
Double Pipe Hanger Set	-	-	600
Vertical Pipe Hanger Set	220	-	160
Adjustable Suspension Set	690	78	

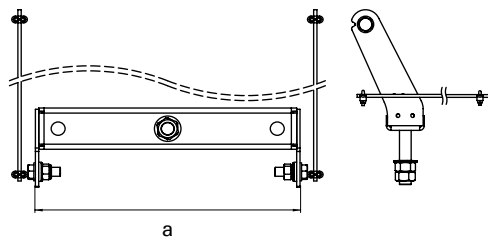
Corner Hanger Set



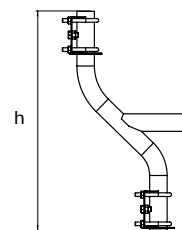
4 Piece Single Angle Hanger Set



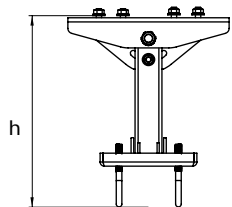
Easy Assembly Bracket



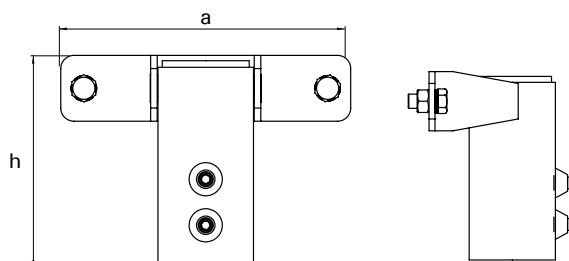
Double Pipe Hanger Set



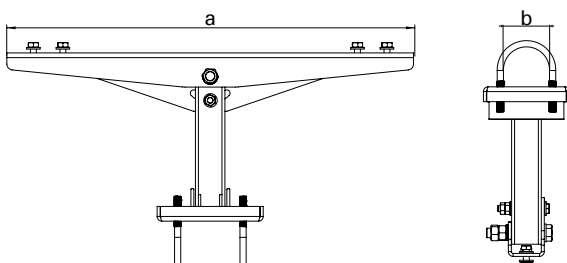
Adjustable Suspension Set 1x



Vertical Pipe Hanger Set



Adjustable Suspension Set





SPREADER
UNDER CARGO BEAM

65T
100T

01

12

HARD HAT AREA
OBRIGATÓRIO USO DE CAPACETE

PROIBIDO
USAR O EQUIPAMENTO
SEM O EQUIPAMENTO

COU 494312
4581



PROLIT PLUS TUNNEL



- Tunnels

-30 °C +50 °C



Special solution for tunnel applications

- ✓ Optics specially developed for tunnels / Aluminum injection molded housing
- ✓ IP66 protection & IK09 impact resistance class / Screen printing glass
- ✓ Ambient operating temperature from -30 °C to +50 °C
- ✓ Standard DALI

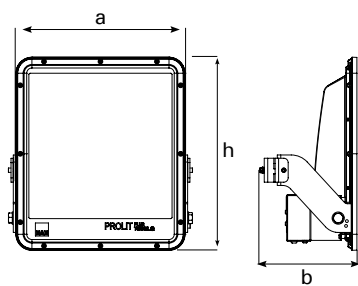


PROLIT PLUS (TUNNEL)

70 W – 263 W
10810 lm – 35286 lm

OPTIC
TN3 / TN5 / T51

Technical Drawing



Dimensions (mm)

	a	b	h
Prolit Plus Tunnel	423	224	444

Weight (kg)

Standard	13,5
----------	------





PROLIT

-30°C +60°C



- Open Spaces
- Ports
- Sports Halls
- Industrial Plants
- Parking Lots
- Advertising Boards
- Building Facades

Ultra-high performance luminaire for floodlight applications

- ✓ Ultra high power LED floodlight
- ✓ IP66 protection & IK09 impact resistance class
- ✓ Ambient operating temperature from -30°C to +60°C
- ✓ Excellent floodlight for 1:1 replacement up to 400 W HIT
- ✓ Energy savings of up to from 65% to 80%.
- ✓ Special housing adaptation for tunnel / ship applications
- ✓ DALI / DIMKO / 1-10V / RF control options



PROLIT NG / MP

94 W – 230 W
12494 lm – 28306 lm

OPTIC

10° / 13° / 16° / 18° / 22° /
23° / 27° / 30° / 46° / 52°
/ 57° / 60° / 90° / 98° /
99° / AS / Sport lens / 0 Tilt



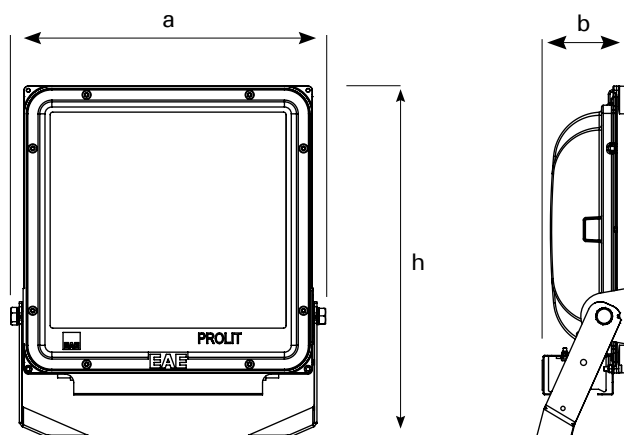
PROLIT SHIP

101 W – 206 W
13400 lm – 25800 lm

OPTIC

10° / 13° / 16° / 18° / 22° /
23° / 27° / 30° / 46° / 52°
/ 57° / 60° / 90° / 98° /
99° / AS / Sport lens / 0 Tilt

Technical Drawing



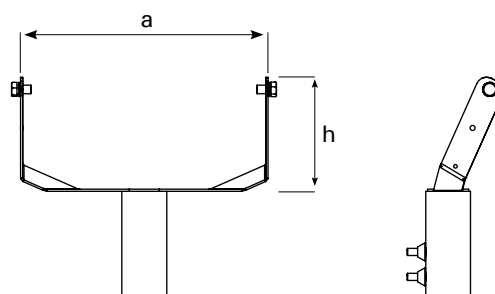
Dimensions (mm)

	a	b	h
Standard	336	95	412

Weight (kg)

Standard	7,1
----------	-----

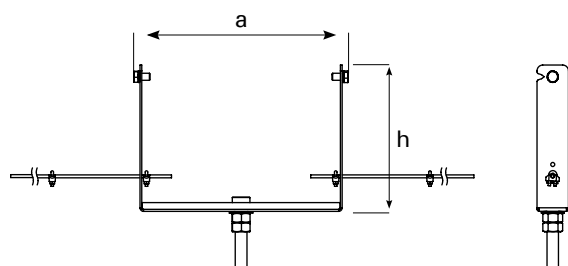
Pipe Fitting Hanger Set



Dimensions (mm)

	a	h
Pipe Fitting Hanger Set	345	310
Single Point Hanger Set	345	345

Single Point Hanger Set



PROLIT KOMPAKT

-30°C +55°C



Compact lighting solution for many applications

- Logistics
- Shipyards
- Tanker Filling and Unloading Areas
- Oil Refineries
- Onshore Facilities
- Ship and Shipbuilding
- Aircraft Hangars

- ✓ Efficient alternative to conventional lighting floodlights
- ✓ Ambient operating temperature from -30°C to +55°C
- ✓ IP66 protection & IK08 impact resistance class
- ✓ Save up to 53% or 70% energy with DALI control
- ✓ Special housing adaptations for Tunnel / Marine Prolit Tunnel / Prolit Ship.



PROLIT KOMPAKT

75 W – 111 W
8034 lm – 12975 lm

OPTIC
16° / 22° / 27° / 32° / 57° /
99° / AS /



PROLIT KOMPAKT / NG

70 W – 124 W
4000 lm – 14400 lm

OPTIC
16° / 18° / 22° / 23° / 27° /
35° / 46° / 52° / 60° / 90° /
98° / 99° / AS /
Spor lens / 0 Tilt

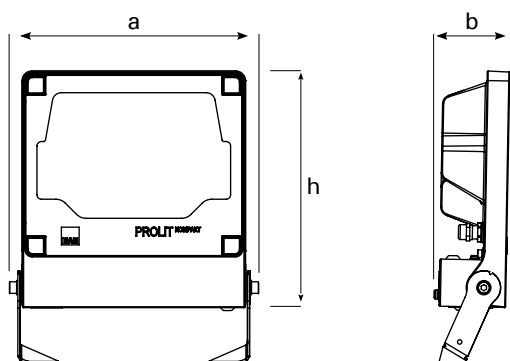


PROLIT KOMPAKT / MP

70 W – 95 W
7966 lm – 10767 lm

OPTIC
18° / 23° / 35° / 60° / 90° /
98° / AS

Technical Drawing



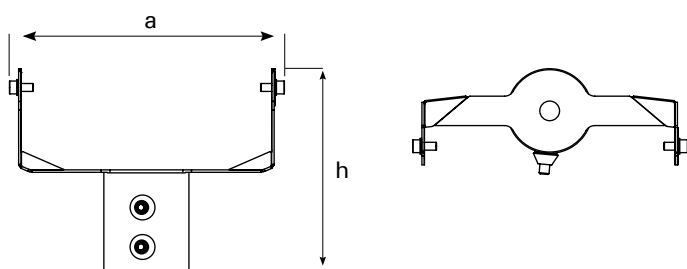
Dimensions (mm)

	a	b	h
Standard	280	76	330

Weight (kg)

Standard	3,6
----------	-----

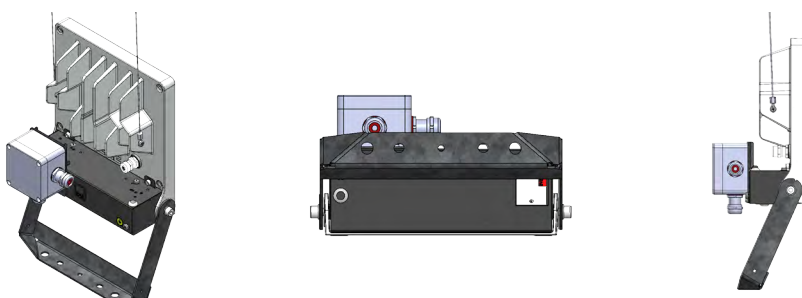
Pipe Fitting Hanger Set



Dimensions (mm)

	a	h
Pipe Fitting Hanger Set	277	205

Optional Version With Terminal Box







PROLIT - M

-25°C +50°C



- Highways
- Street Lighting

Compact design, maximum comfort and optimal lighting

- ✓ Maximum performance in outdoor conditions
- ✓ IP66 protection & IK09 impact resistance class / Tempered glass
- ✓ Ambient operating temperature from -25°C to +50°C
- ✓ Standard DALI



PROLIT - M NG

26 W – 72 W
3000 lm – 8085 lm

OPTIC
60° / 90°

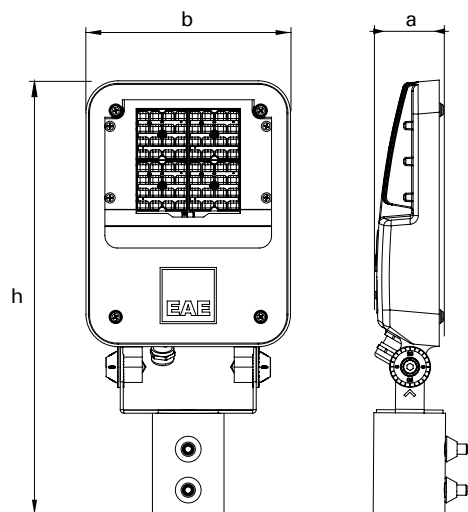


PROLIT - M STREET NG

25 W – 71 W
3467 lm – 7300 lm

OPTIC
Street Optical

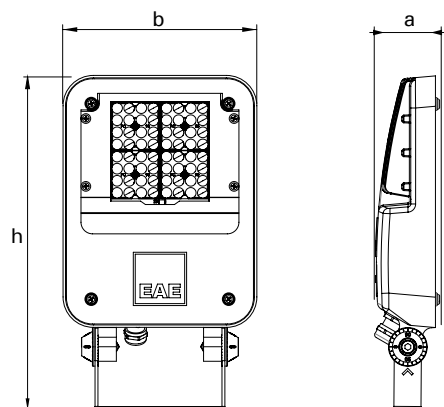
Technical Drawing | Prolit - M Street NG



Dimensions (mm)

	a	b	h
Prolit - M Street NG	65	200	425
Prolit - M NG	65	200	345

Technical Drawing | Prolit - M NG







PROLIT EX-PROOF

-20°C +55°C



- Logistics
- Shipyards
- Tanker Filling and Unloading Areas
- Oil Refineries
- Fuel Ships

Ex-Proof floodlight for harsh environmental conditions

- ✔ Ultra-high-power LED floodlight
- ✔ IP66 protection & IK09 impact resistance class / Tempered screen printing glass
- ✔ Ambient operating temperature from -20°C to +55°C
- ✔ Special housing designed for harsh environments
- ✔ Wide lumen package and flexible optical options
- ✔ DALI control option
- ✔ Zone classification generated for installations where explosive and flammable substances are present: Zone 2/22 Group / Category: II / 3GD Protection class: ec / tc



PROLIT EX-PROOF

102 W – 206 W
13716 lm – 25760 lm

OPTIC
22° / 32° / 57° / 99° / AS

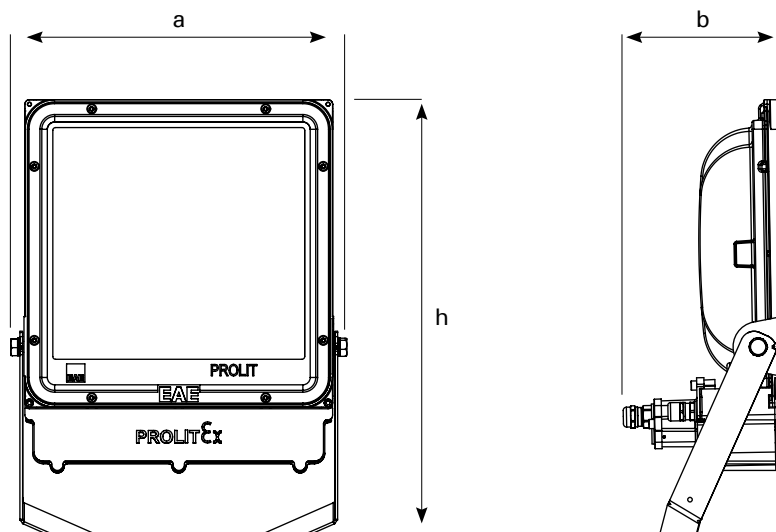


PROLIT KOMPAKT EX-PROOF

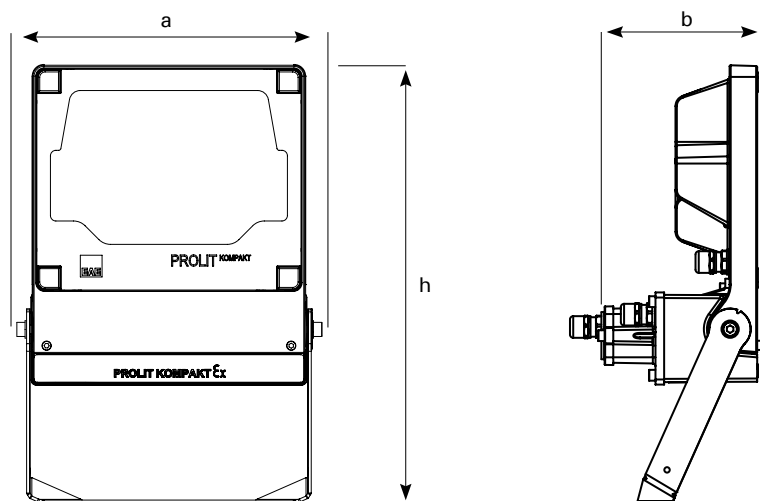
40 W – 96 W
5100 lm – 11366 lm

OPTIK
16° / 90° / AS / DA

Technical Drawing | Exproof



Technical Drawing | Kompakt Exproof



Dimensions (mm)

	a	b	h
Prolit Ex-Proof	279	173	476
Prolit Kompakt Ex-Proof	281	149	404

Weight (kg)

Prolit Ex-Proof	7,1
Prolit Kompakt Ex-Proof	5,3





GPRONA

-25°C +50°C



- Shipyard
- Ports
- Ship and Shipbuilding
- Aircraft Hangars
- Passenger Ship Facades

The best choice of asymmetric viewpoint

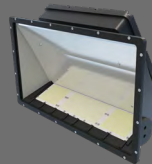
- ✓ LED luminaire, which is suitable for heavy industrial and port conditions
- ✓ IP66 protection & IK09 impact resistance class / Tempered glass
- ✓ Ambient operation temperature from -25°C to +50°C
- ✓ Perfect solution in the port sites with special asymmetric curve
- ✓ Multi-directional control and automation with DALI, RF, 1-10V and DIMKO options
- ✓ Suitable for special site solutions for special projects
- ✓ High strength against vibrations



GPRONA

135 W – 463 W
21440 lm – 74200 lm

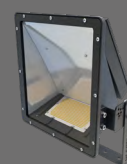
DALI / RF / 1-10V / DIMKO



GPRONA PLUS

558 W – 669 W
87538 lm – 102604 lm

DALI / RF / 1-10V / DIMKO

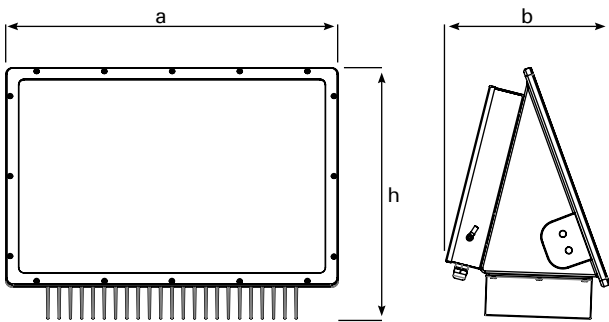


GPRONA MINI

133 W – 185 W
21800 lm – 29400 lm

DALI / RF / 1-10V / DIMKO

Technical Drawing



Dimensions (mm)

	a	b	h
Gpron Standard Injection Box	589	296	508
Gpron Standard Luxeon Led	589	317	446
Gpron 10V + RF Injection Box	589	296	529
Gpron 10V + RF Luxeon Led	589	403	446
Gpron DALI + ZHAGA Injection Box	589	296	508
Gpron DALI + ZHAGA Luxeon Led	589	340	446

Dimensions (mm)

	a	b	h
Gpron Plus Standard	698	297	493
Gpron Plus 10V + RF	698	297	513
Gpron Plus DALI + ZHAGA	698	297	492

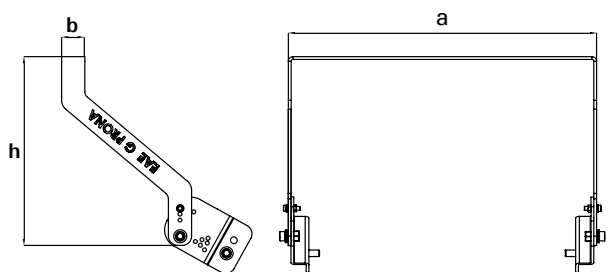
Weight (kg)

Gpron	22 - 31,5
Gpron Plus	33,5
Gpron Mini	11,8 - 12,3

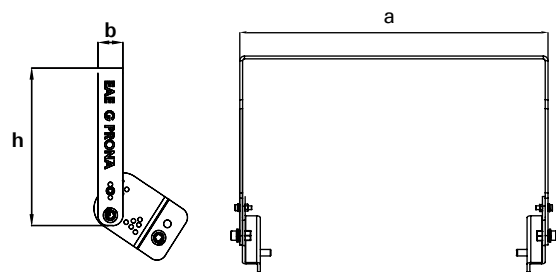
Dimensions (mm)

	a	b	h
Gpron Mini Standard	374	276	419
Gpron Mini 10V + RF	375	273	483
Gpron Mini DALI + ZHAGA	375	273	445

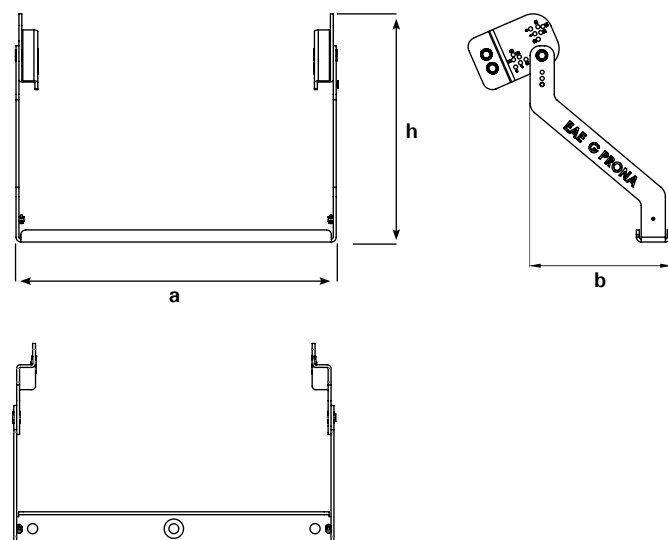
Angular Hanger Set



U Type Short Hanger Set



Easy Assembly Hanger Set



Dimensions (mm)

	a	b	h
Angular Hanger Set	662	50	406
U Type Short Hanger Set	662	50	306
Easy Assembly Hanger Set	662	290	472





SPRONA PLUS



- Shipyard
- Ports
- Ship and Shipbuilding
- Aircraft Hangars

-25°C +50°C



Maximum performance in harsh conditions

- ✓ Aluminium housing with high mechanical strength
- ✓ IP66 protection & IK08 impact resistance class / Tempered transparent glass
- ✓ Ambient operating temperature from -25°C to +50°C
- ✓ Functional use in the port and outdoor applications with special hanger set

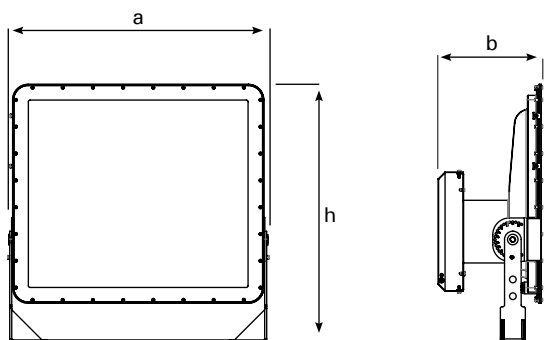


SPRONA PLUS

851 W – 1051 W
116026 lm – 149147 lm

OPTIC
10° / 22° / 57°

Technical Drawing



Dimensions (mm)

	a	b	h
Standard	768	228	805

Weight (kg)

Standard	45,8
----------	------

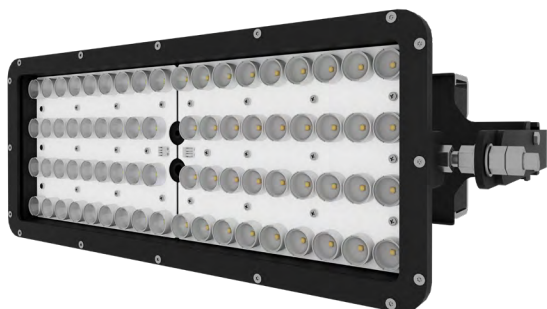
SPRONA

-25°C +45°C

CE

IP66

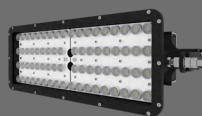
LED



- Shipyard
- Ports
- Ship and Shipbuilding
- Aircraft Hangars
- Passenger Ship Facades

Maximum performance for extreme conditions

- ✓ Aluminium housing with high mechanical strength
- ✓ IP66 protection & IK07 impact resistance class / Tempered transparent glass
- ✓ Ambient operating temperature from -25°C to +45°C
- ✓ Optimized, single, dual and triple modular use
- ✓ Functional use in the port and outdoor applications with special Hanger Set

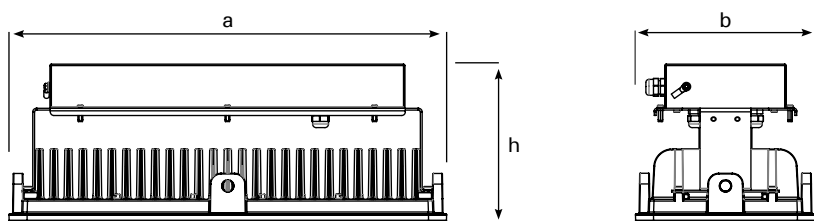


SPRONA

348 W
49527 lm – 51506 lm

OPTIC
20° / 35° / 60°

Technical Drawing



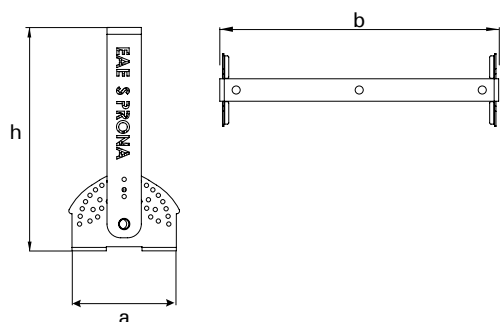
Dimensions (mm)

	a	b	h
Single Module	605	249	220
Double Module	605	615	220
Triple Module	605	980	220

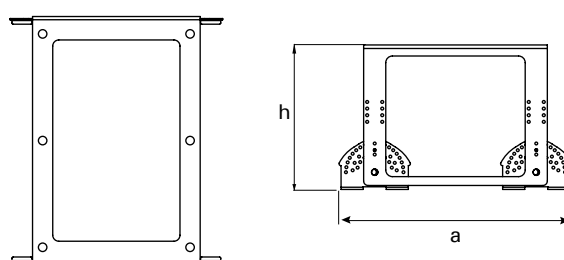
Weight (kg)

Single Module	15,4
Double Module	41
Triple Module	65

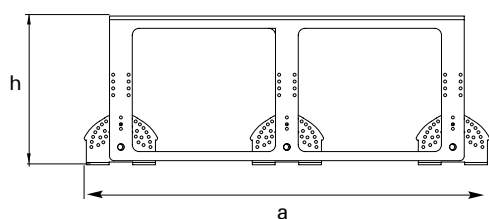
Single Hanger Set



Double Hanger Set



Triple Hanger Set



Dimensions (mm)

	a	b	h
Singer Hanger Set	249	616	345
Double Hanger Set	615	-	345
Triple Hanger Set	980	-	345

VALERIA

-20°C +40°C



Perfect solution for lighting needs of large areas

- ✓ The ideal solution for outdoor lighting
- ✓ IP66 protection & IK08 impact resistance class
- ✓ Ambient operating temperature from -20°C to +40°C
- ✓ DALI control option

- Open Spaces
- Ports
- Sports Halls
- Industrial Plants
- Parking Lots
- Advertising Boards
- Building Facades



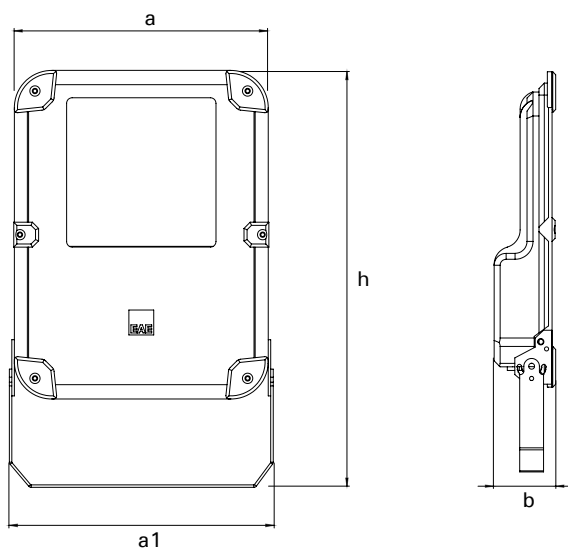
VALERIA

45 W – 292 W
5616 lm - 37938 lm

Tempered Glass - Glazed Glass

OPTIC
60° / 90°

Technical Drawing



Dimensions (mm)

	a	a1	b	h
Standard	205	212	50	335

Weight (kg)

Standard	6,7
----------	-----



EAE LIGHTING Inc
İkitelli OSB Mah. Eski Turgut Özal Cad.
EAE No: 20, İç Kapı No: Giriş Kat
Başakşehir / İSTANBUL - TÜRKİYE
Tel : +90 212 413 21 00 (pbx)
Faks : +90 212 549 37 90
www.eaelighting.com

engineering the light